

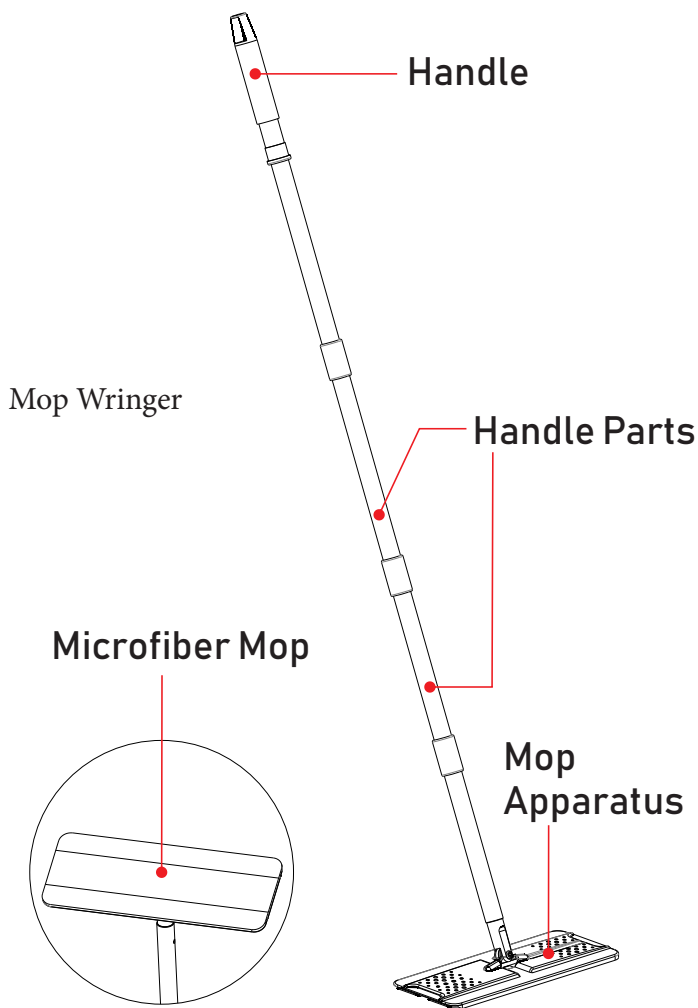
## Instruction sheet for the GBPro<sup>®</sup> Bucket and Mop system

Our bucket is Compact, Durable with Velcro premium microfibre pads that make it easier for the user to interchange mops. Its compact size allows you to break down the mop handle to fit in the bucket making it easier for storage. It enables the user to remove excess water leaving the microfibre mop at its optimum dampness for cleaning, not wasting water or floor cleaner. Ideal for shops, offices, homes, etc., that need the floor to dry quickly to allow foot fall. The Mops static when used dry will act as a duster.

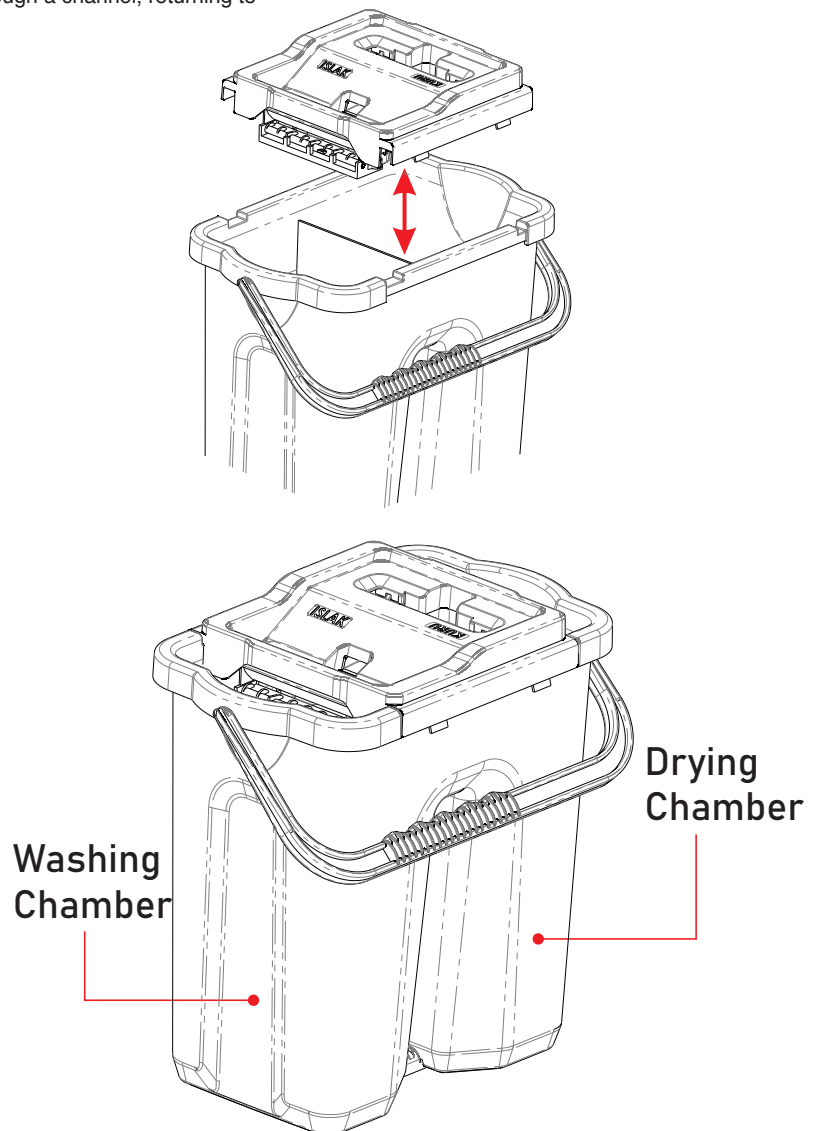
Top Grey "Mop Wringer" has a gravitational flex bar on the wash side when applying the wet solution and or scrape any dirt off. The dry chamber has a sprung loaded scraper to exert the right pressure to remove excess water, leaving the mop at the correct level of dampness to your requirements and to work the floor efficiently. To remove when cleaning the bucket: - Just prise the tabs out on one side, to clear its locators on the top of the bucket lifting off to the side.

To relocate; Align the words Dry on the inside bucket with the same on the Grey Mop wringer (raised part) locating in the recess of the bucket, press gently until the four plastic clip spring over the bucket edge and lock.

To attach the mops, simply roll the mop, (1) hook the 3 pockets on the mop over the 3 tongues on the mop holder and (2) unroll locating on the (3) Velcro firmly, then place in the wash side of the bucket to press the mop on more firmly to the holder while wetting with the water/solution. From dry, up & down 2 or 3 times should be sufficient. The motion required will be strong initially as it gets wet. When over the dry chamber any excess water will be squeezed back through a channel, returning to the wet chamber. After the dry channel, it is ready to use.



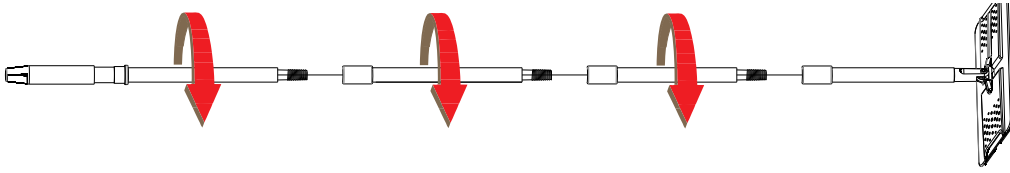
Fully assembled mop apparatus



Fully assembled bucket

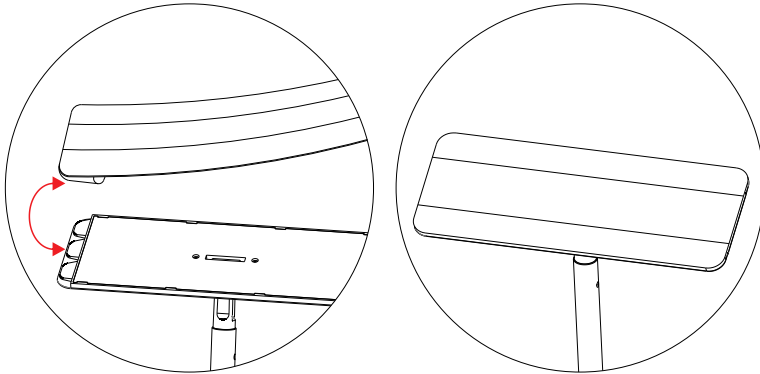
**STEP 1:**

Assemble the handle, handle arms and mop Head/Holder, as indicated in the following image.



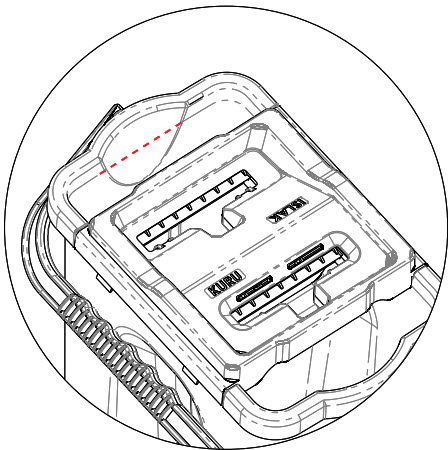
**STEP 2:**

Insert the three tabs on the mop Head/Holder to the pockets provided on the underside side of microfiber mop. Afterwards, press firmly to the Velcro surface of the mop against the Mop Holder to firmly secure the mop.



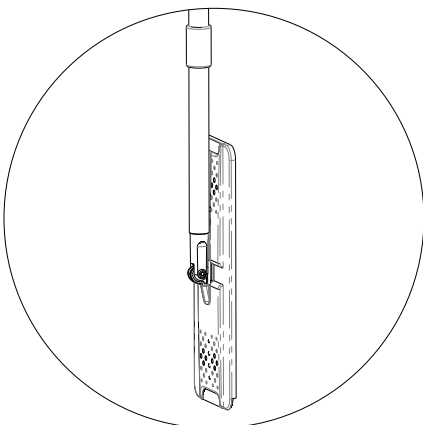
**STEP 3:**

Fill the washing chamber up to the full marking line shown in red in the following image and do not add excessive water.



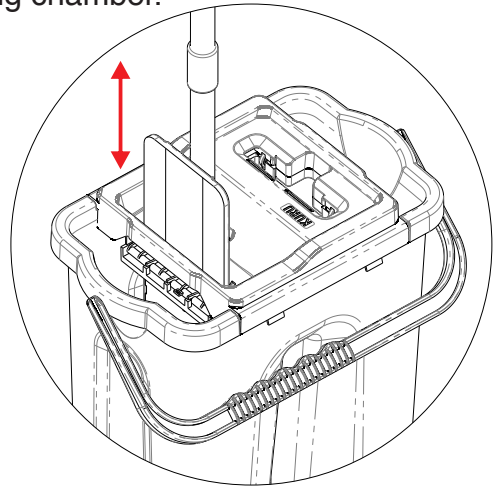
**STEP 4:**

Simply fold the mop head/holder as illustrated in the following image.



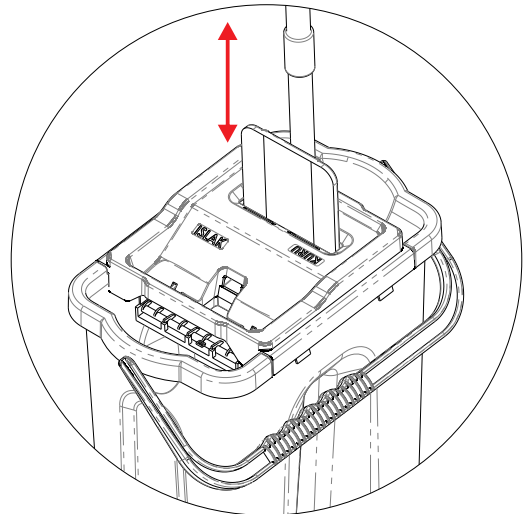
**STEP 5:**

Hold the mop from the handle and insert into the opening located over the washing chamber (marked). Dip the mop vertically up and down a few times into washing/soaking chamber to wash/wet microfiber mop head. Holding the mop handle section firmly and vertically pull out of washing chamber.



**STEP 6:**

Holding the mop handle, place the mop head/holder into the opening located over drying chamber. Move the mop up and down in drying chamber until desired amount of dampness is reached – “Damp” is optimum for the microfibre. Holding the mop from the handle, pull it vertically out of drying chamber.



**STEP 7:**

Once completed, discharge water and wash your GBPro BUCKET SET